



## P5彩虹桥双充

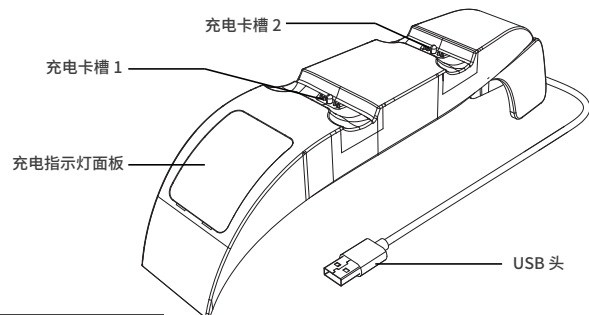
产品说明书(PG-P5016)



售后客服QQ群: 837350687  
 客服电话: (0755) 2791 8998  
 在线时间: 周一至周五9:30-17:30



### 产品外观图示:



### 产品技术参数:

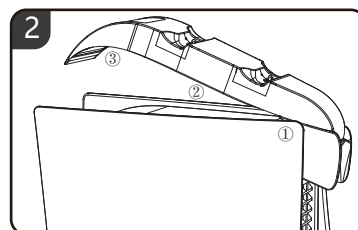
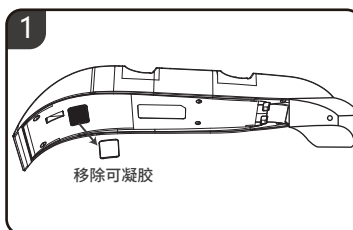
工作电压: DC 5V    充电时间: 2.5-3H左右    充电电流: ≤850 mA(单个手柄)

### 产品特点:

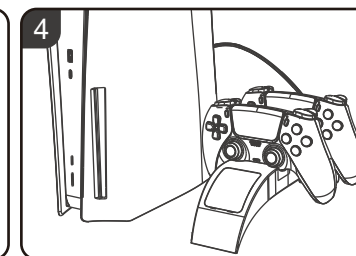
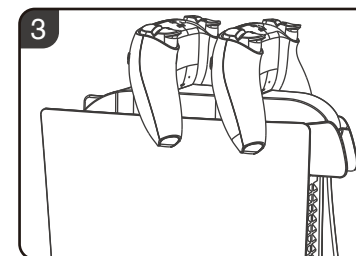
1. 本产品适用于给P5原装手柄充电。
2. 带充电指示灯, 在充电过程中便于识别充电状态。
3. 配备专用的两个充电探针位, 手柄充电时, 随取随放使用非常方便。
4. 产品内有内置直流升压稳压电路, 能持续提供5V稳压充电。

### 产品使用说明:

1. 将P5016彩虹桥双充底部的可凝胶撕掉。
2. 将P5016彩虹桥双充从①点按压下去, 然后按着顺序依次嵌入主机里面, 带线4P公头接入原装P5主机后边USB母座; 此时LOGO亮白灯, 其它亮蓝灯。



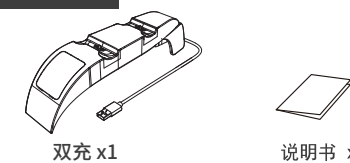
3. 分别将两个P5手柄的四个探针接触位, 对准P5016座充上各自的四个探针, 再插入手柄, 此时对应的红灯长亮开始充电, 充满亮蓝灯。
4. P5016彩虹桥双充也可以放到桌面上充电。



### 注意事项:

1. 外接5V 其它电源可能会导致本产品工作异常。
2. 产品注意事项:
  - ①: 使用本产品时必须使用P5原装主机提供电源。
  - ②: 当P5手柄充电电量达到约80%以上电量时, 如果这时候去拔掉手柄再插入充电, 会因手柄有电池保护功能, 手柄可能会不充电; 需等手柄电池电量低于80%以下电量才会继续充电。
3. 本产品长期不使用时, 应将电源USB插头从P5主机上取出。
4. 本产品在使用或存放时, 应尽量避免灰尘、重压, 以免影响使用寿命。
5. 本产品不能在潮湿的环境里使用、存放。
6. 本产品因使用不当而造成浸水、撞坏或摔坏, 出现电气性能问题, 请停止使用。
7. 如有损坏请及时送维修部门处理, 切勿自行拆卸。

### 产品清单:



专利号: ZL202130111339.X



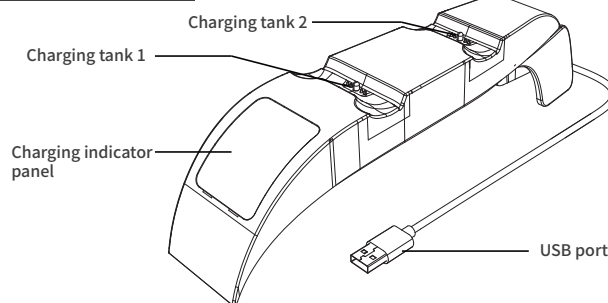
## P5 Rainbow Bridge Dual Charger

Manual(PG-P5016)



Patent NO. : ZL202130111339.X

### Illustration:



### Electrical parameters:

Working voltage: DC 5V  
 charging current: ≤850 mA (single gamepad)

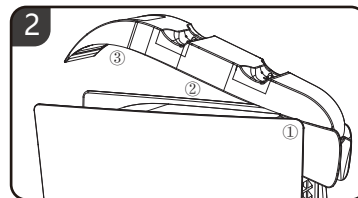
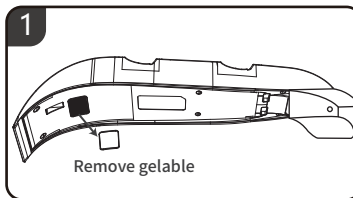
Charging time: 2.5-3H

### Applicable instructions:

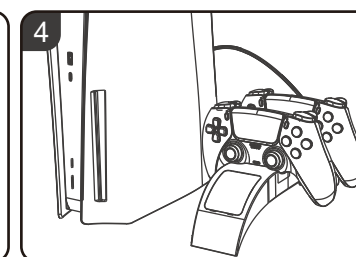
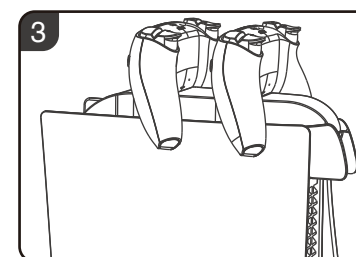
1. This product is suitable for charging P5 original gamepad.
2. With charging indicator, it is easy to identify the charging status during the charging process.
3. Equipped with two dedicated charging probe positions, it is very convenient to take it away or put it down for charging.
4. The product has a built-in DC boost regulator circuit, which can continuously provide 5V regulated charging.

### Equipment instructions:

1. Tear off the gel at the bottom of the P5016 Rainbow Bridge Dual Charger
2. Press down the P5016 Rainbow Bridge Dual Charger from point ①, and then follow the sequence Embed in the console one by one, with the cable 4P male connector connected to the back of the original P5 console USB female socket; at this time, the LOGO lights up in white, and the other lights in blue.



3. Align the four probes of the two P5 gamepad with the four probes on the P5016 socket, and then insert the gamepad. At this time, the corresponding red light will be on to start charging, and when fully charged, the light will be blue.
4. When the P5016 Rainbow Bridge Dual Charger is can be charged on the desktop



### Product Note:

1. External 5V, other power supply may cause this product to work abnormally.
2. Product note:
  - ①: P5 original console must be used to provide power when using this product.
  - ②: When the charging power of the P5 gamepad reaches up to 80% or more, if you remove the gamepad and plug it again at this time, the gamepad may not be charged due to the battery protection function of the gamepad; you need to wait until the battery power of the gamepad is lower than 80%.
3. When this product is fully charged or not in use, the power USB plug should be removed from the P5 console.
4. When this product is used or stored, dust and heavy pressure should be avoided as much as possible, so as not to affect the lifetime.
5. This product is immersed in water, crashed or broken due to improper use, and electrical performance problems occur. Please stop using it.
6. This product cannot be used or stored in a humid environment.
7. If there is any damage, please send it to the maintenance department for disposal, and do not disassemble it by yourself.

### Product note:

