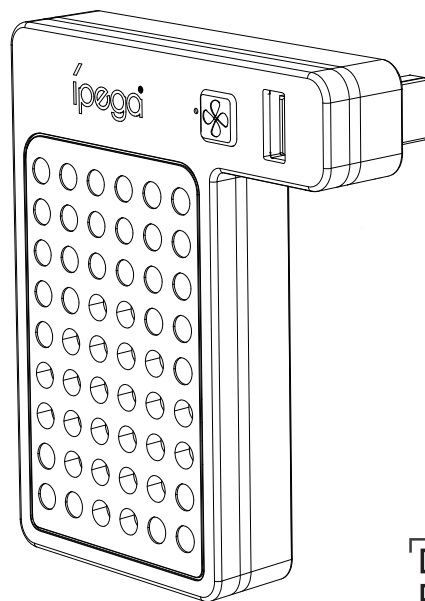




## XBX 散热风扇

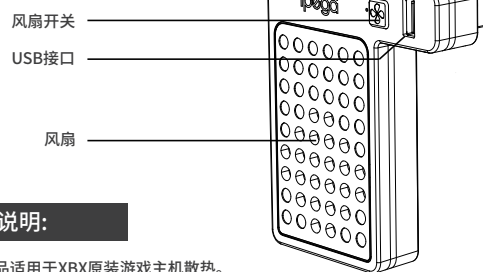
产品说明书 (PG-XBX012)



售后客服QQ群: 837350687  
 客服电话: (0755) 2791 8998  
 在线时间: 周一至周五9:30-17:30



### 产品外观图示



### 适用说明:

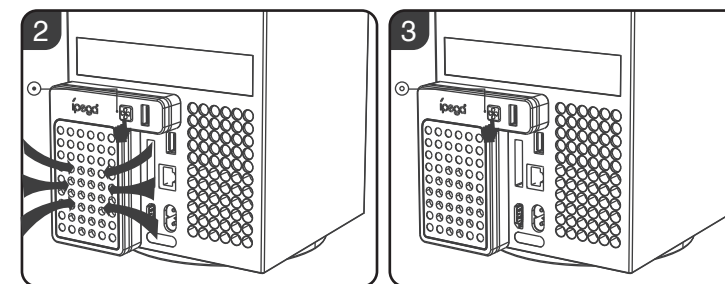
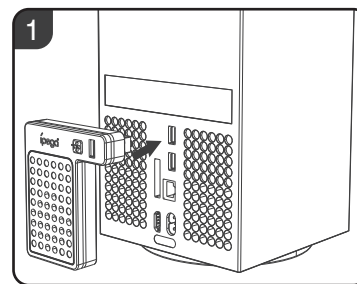
- 1.本产品适用于XBX原装游戏主机散热。
- 2.带散热风扇开关与散热风扇工作状态指示灯。
- 3.带USB2.0转接母座,不独占主机USB接口。
- 4.散热风扇能给主机散热和降温。

### 产品技术参数:

工作电压:4.75V-5.25V      工作电流:<150mA

### 设备使用说明:

- 1.将PG-XBX012散热风扇的USB公头插入XBX主机背部USB接口,注意散热风扇底端的圆柱型插销需要嵌入主机壳。
- 2.当需要给XBX主机散热时,按一下PG-XBX012散热风扇上部的方形开关,风扇指示灯亮起,同时散热风扇进入工作状态,向主机内部方向吹风。
- 3.再次按一下PG-XBX012散热风扇的开关时,开关弹起,风扇指示灯熄灭,同时散热风扇停止工作。

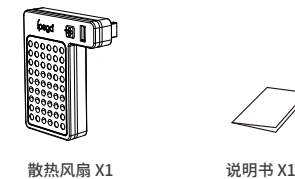


4.在PG-XBX012散热风扇USB公头插在XBX主机USB接口上时(不论散热风扇是否工作),散热风扇上的USB母座具备完整的XBX主机USB2.0接口功能。

### 注意事项:

- 1.当风扇在运转中,请勿企图将风扇锁死特别长的时间,此举会因连续停止不转,产生高热而烧毁风扇。
- 2.安装风扇时,请特别注意,如果安装不到位会震动产生噪音。
- 3.本产品长期不使用时,应将风扇从XBX主机上拔掉。
- 4.本产品在使用或存放时,应尽量避开灰尘、重压,以免影响使用寿命。
- 5.本产品不能在潮湿的环境里使用、存放。
- 6.本产品因使用不当而造成浸水、撞坏或摔坏,出现电气性能问题,请停止使用。
- 7.如有损坏请及时送维修部门处理,切勿自行拆卸。

### 产品清单:

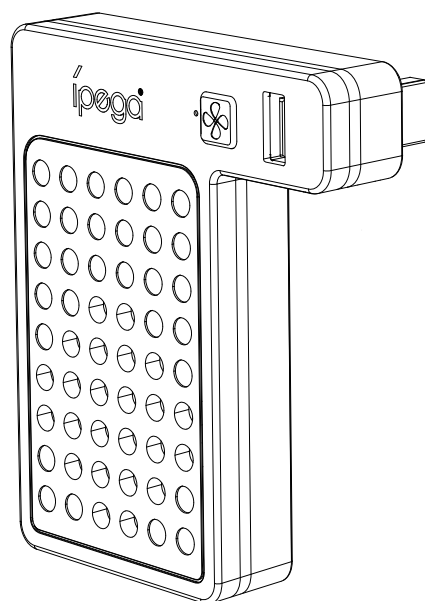


专利号: ZL202130111367.1

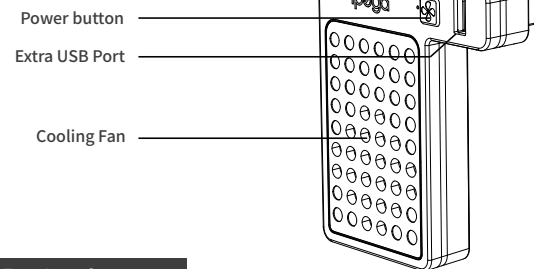


## XBX Cooling Fan

Manual(PG-XBX012)



### Illustration:



### Product features:

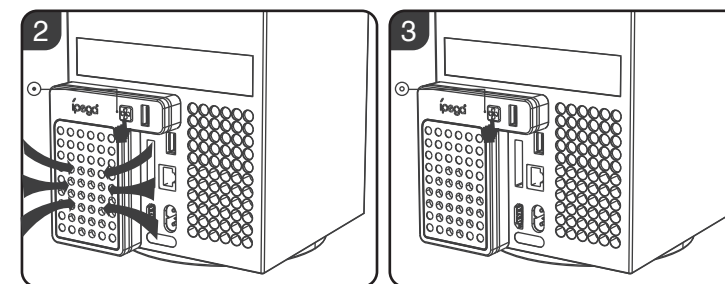
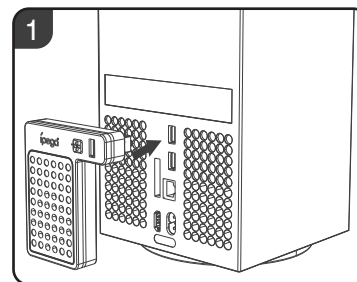
1. This product is suitable for heat dissipation of XBX original game console.
2. With cooling fan switch and Indicator of cooling fan working status
3. With USB 2.0 female adapter, Does not occupy the USB interface of console.
4. Can dissipate heat and cool the XBX console

### Electrical parameters:

Working voltage: 4.75V-5.25V      Working current: < 150mA

### Applicable instructions:

1. Insert the USB male of PG-XBX012 cooling fan into the USB interface on the back of XBX console, and pay attention to that the cylindrical pin at the bottom of the cooling fan needs to be embedded into the console shell.
2. When it is necessary to dissipate heat the XB console, press the square N.S on the top of product, the indicator light will be on, Then start to work, blowing air to the interior of the console.
3. Press the switch again, the switch will pop up, the indicator will off, and the cooling fan stop working

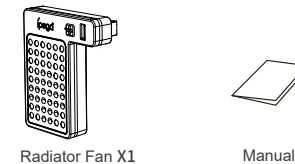


4. When the PG-XBX012 Cooling Fan USB male is inserted into the USB interface of XB console (no matter whether the cooling fan is working or not), the USB female seat on the cooling fan has a complete USB 2.0 interface function

### Product note:

1. When the fan is under operation, please do not attempt to lock the fan for long time. This will cause the fan to be continuously stopped and generate high heat and burn the fan.
2. When installing the fan, please pay special attention, if the installation is not in place, it will vibrate and generate noise.
3. When this product is not in use, the power USB plug should be unplugged from the XB console.
4. When this product is used or stored, dust and heavy pressure should be avoided as much as possible, so as not to affect the lifetime.
5. This product cannot be used or stored in a humid environment.
6. This product is immersed in water, crashed or broken due to improper use, and electrical performance problems occur, so please stop using it.
7. If there is any damage, please send it to the maintenance department for disposal, and do not disassemble it by yourself.

### Product note:



Patent NO. : ZL202130111367.1