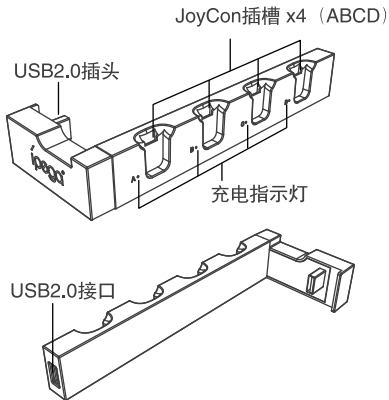




N-Switch JoyCon蟒蛇四充

产品说明书(PG-9186)



产品特点:

- 1.本产品是一款配合N-Switch Dock原装底座使用的充电座，用于N-Switch JoyCon手柄使用；
- 2.本产品具有ABCD 4个充电插槽，支持给1至4个JoyCon手柄同时充电；
- 3.配备USB2.0公插头接口，支持N-Switch Dock原装底座为产品提供电源输入；
- 4.扩展的USB2.0母座，支持DC5V电源输出，支持通信功能；
- 5.产品精巧简洁，操作简单，实时显示手柄充电状态；

产品技术参数:

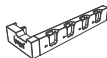
输入电压/电流: DC5V/1.0A;

手柄充电时间: 约3小时;

产品使用说明:

- 1.将产品接入N-Switch Dock原装底座，为产品提供电源输入；
- 2.产品通电后，4个JoyCon手柄插槽充电指示灯蓝色常亮；
- 3.将JoyCon手柄插入任意插槽进行充电，充电时对应指示灯红色常亮，充满电对应指示灯蓝色常亮；
- 4.产品扩展的USB2.0母座，支持DC5V电源输出，支持通信功能；
- 5.配备的双面胶贴，可以将产品有效固定在N-Switch Dock原装底座上；

产品清单:



充电座 x1

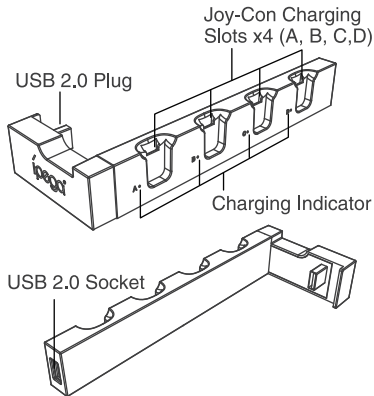


说明书 x1



Python Charger With 4 slot for N-Switch Joycon

User manual(PG-9180)



Application Instruction:

1. This charger is assorted with the original N-Switch Dock base, used for charging the N-Switch Joy-con;
2. This product has 4 slots used for charging, support to charge 1- 4pcs of Joy-con gamepads at the same time;
3. Equipped with USB2.0 male plug interfac, support the power input from original N-Switch Dock;
4. Extended USB 2.0 female socket, support DC 5V power output, support for communicate function;
5. Simple design, easy operation, display the charging status at real time;

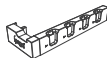
Electrical Parameter:

Input Voltage/Current: DC 5V/1.0A;
Charging Time: Approximately 3 hrs;

Operation instructions:

1. Insert the charger to the original N-Switch Dock to connect with power input;
2. After connected, 4 indicators of charging slots are always blue;
3. When charging Joycon gamepad, the corresponding indicator will be red, after fully charged, the light will turn blue
4. Extended USB 2.0 female socket, support DC 5V power output, support for communicate function;
5. Equipped double-sided adhesive tape, can fix the charger on the original N-Switch Dock;

Accessories List:



Charging dock x1



User Manual x1